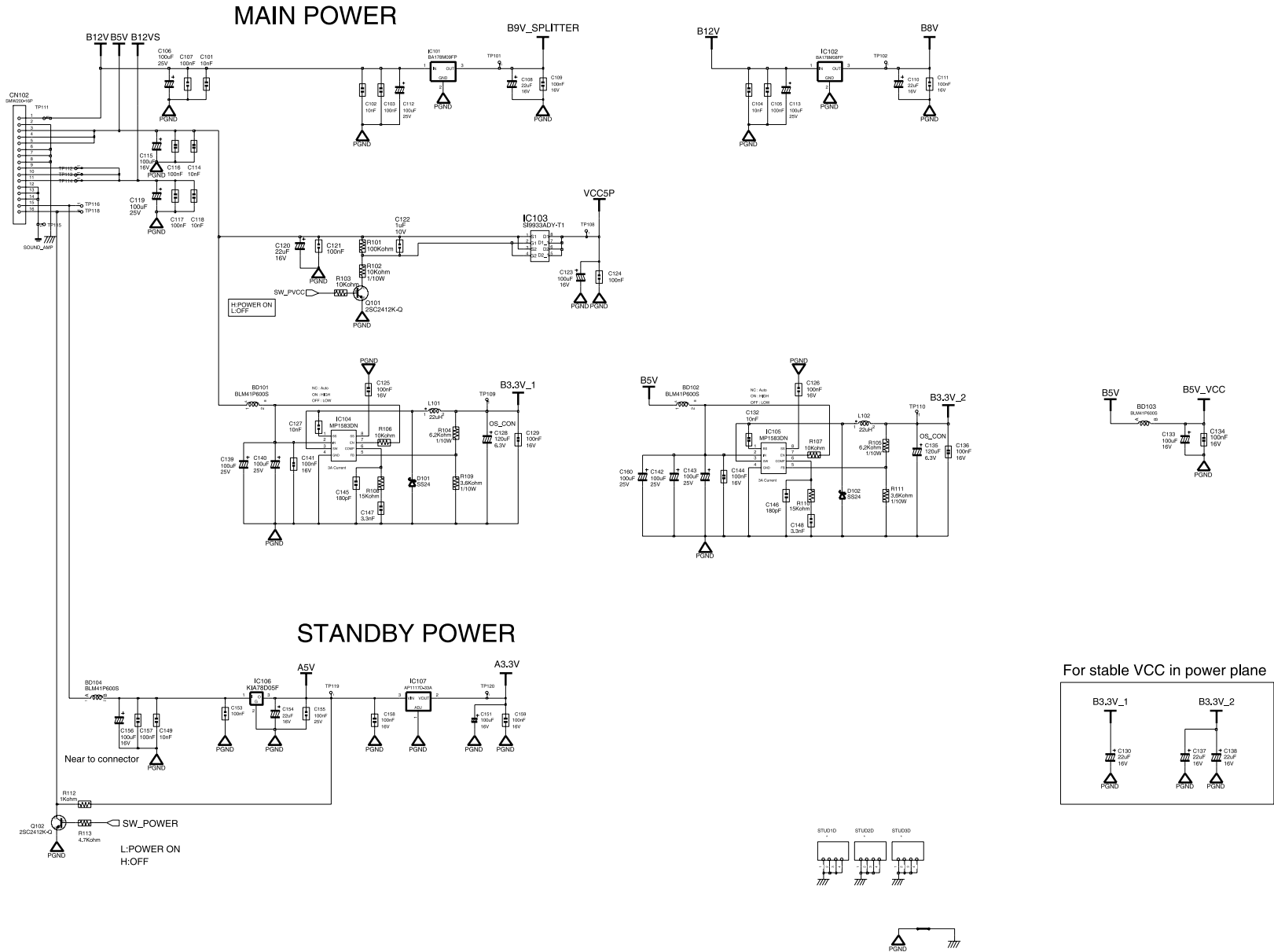


9 Schematic Diagrams

- This Document can not be used without Samsung's authorization.

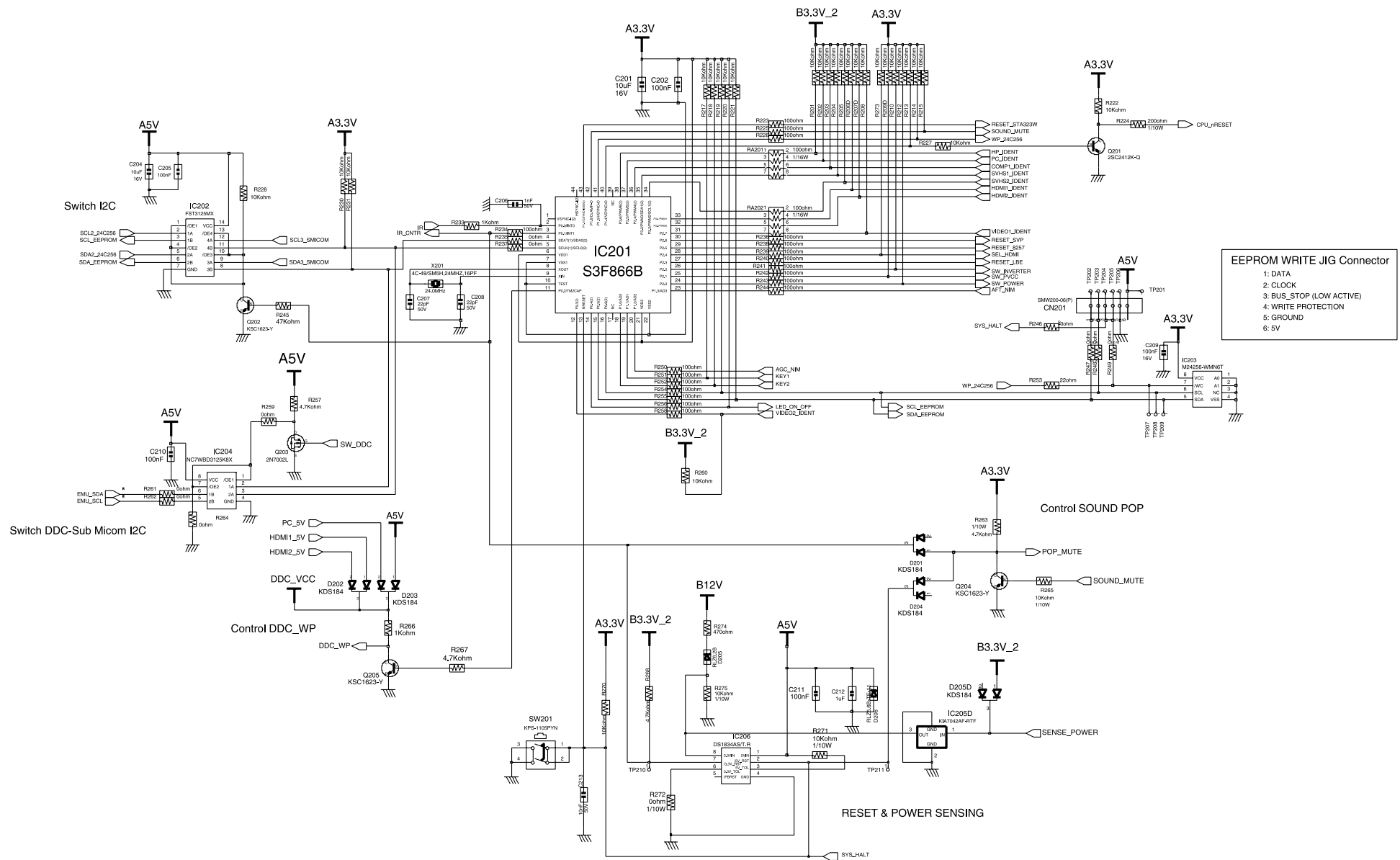
9-1 Power Schematic Diagram



9 Schematic Diagrams

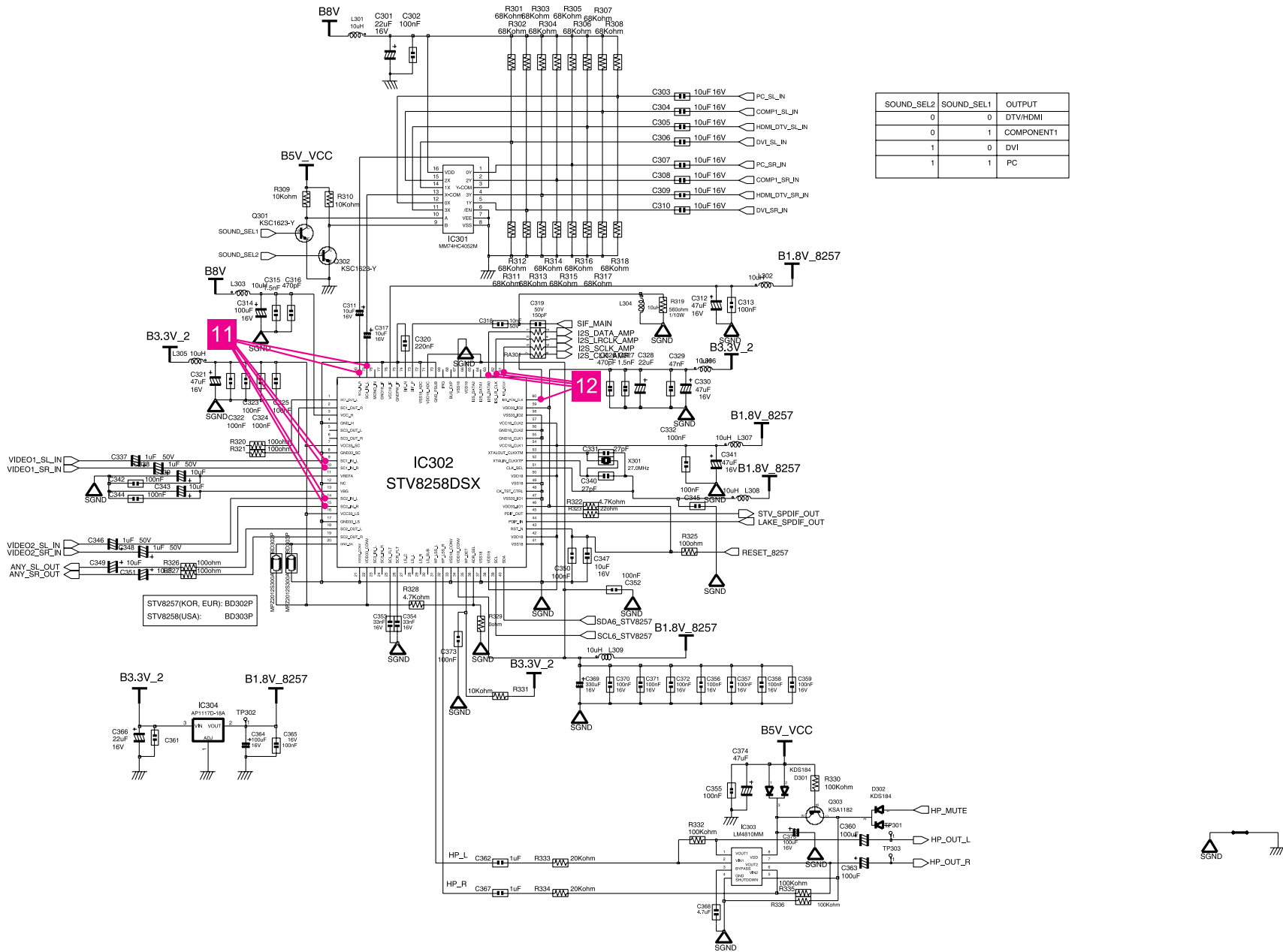
- This Document can not be used without Samsung's authorization.

9-2 Stand by Microm Schematic Diagram



- This Document can not be used without Samsung's authorization.

9-3 STV8257 Diagram

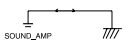
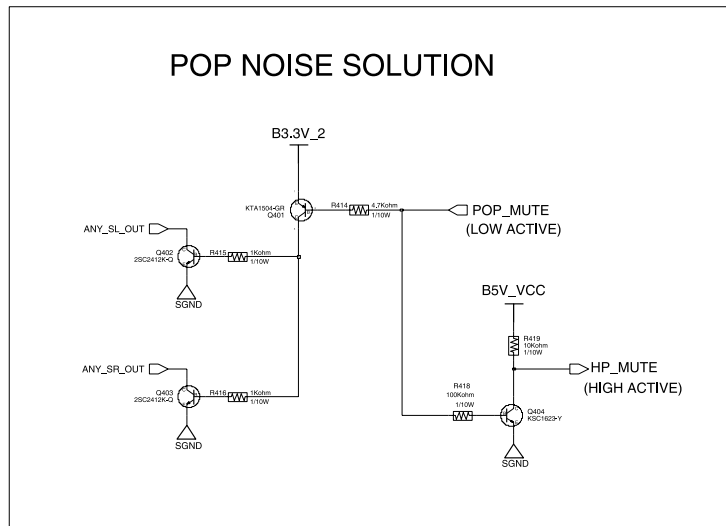
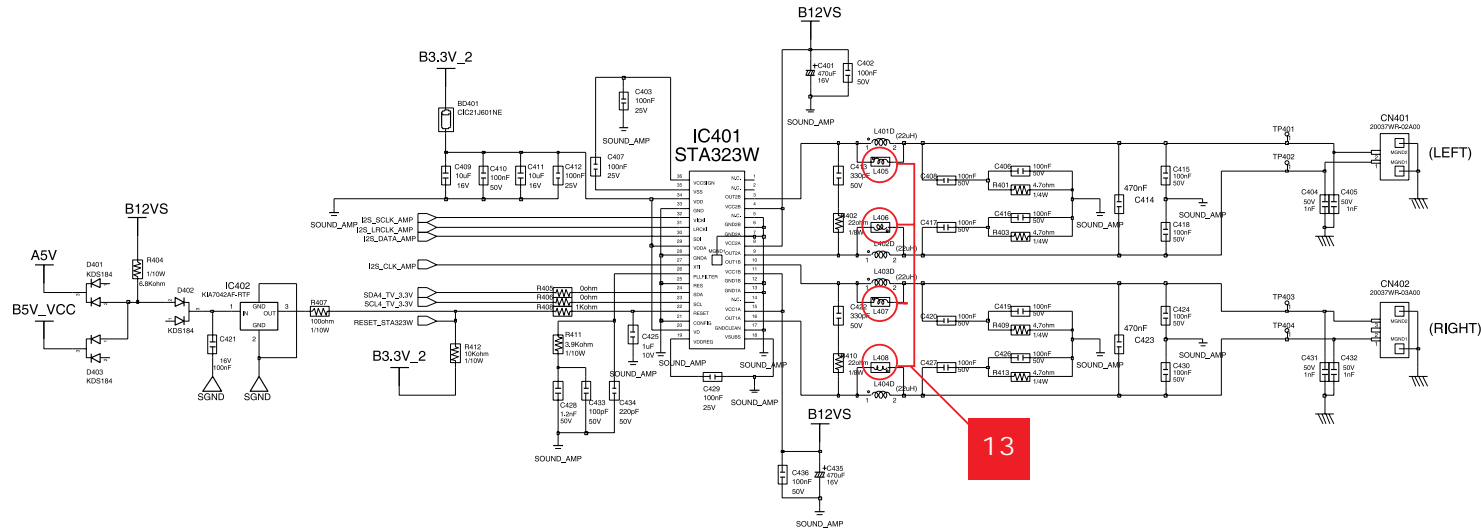


SOUND_SEL2	SOUND_SEL1	OUTPUT
0	0	DTV/HDMI
0	1	COMPONENT1
1	0	DVI
1	1	PC

9 Schematic Diagrams

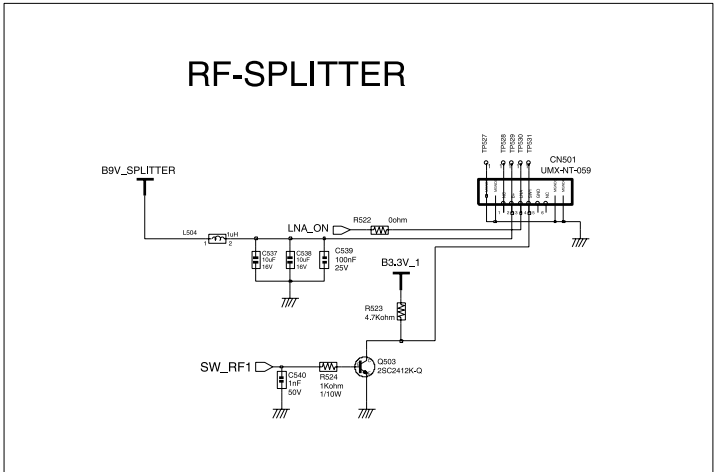
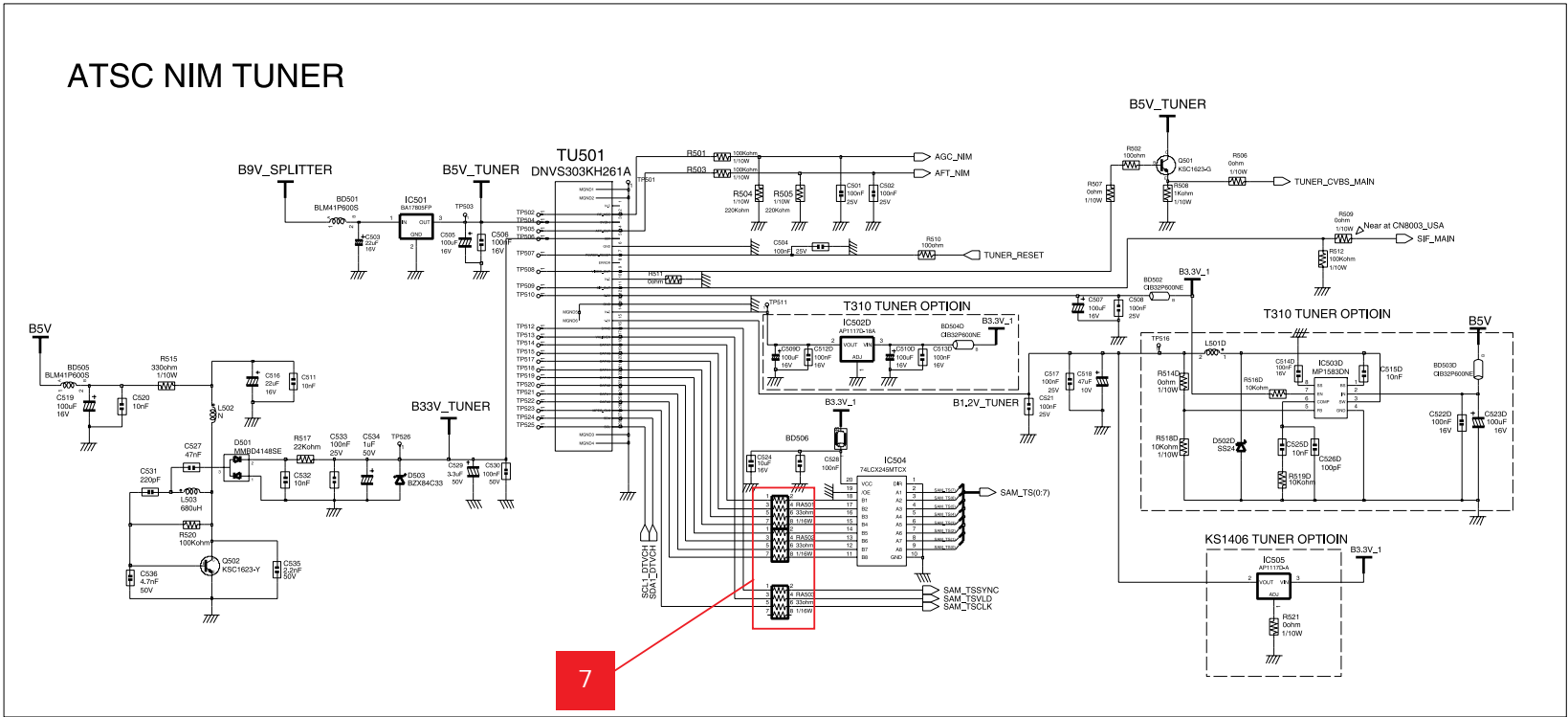
- This Document can not be used without Samsung's authorization.

9-4 STA323W Schematic Diagram



- This Document can not be used without Samsung's authorization.

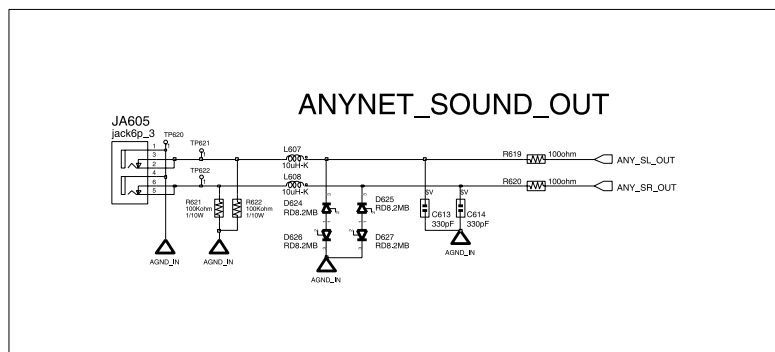
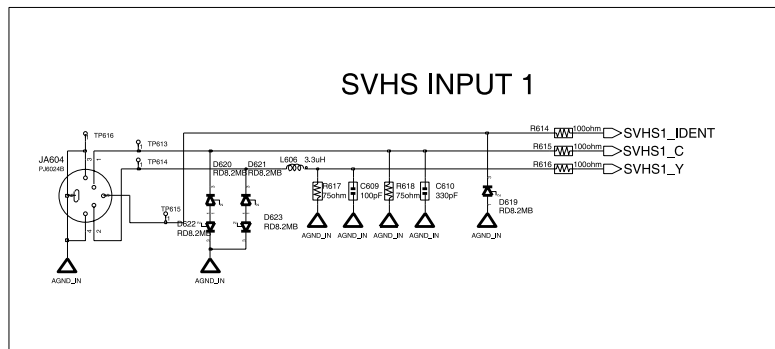
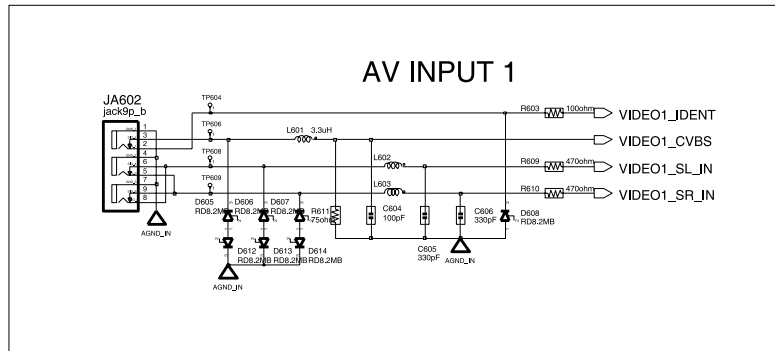
9-5 TUNER_SPLITTER Schmatic Diagram



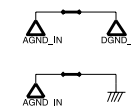
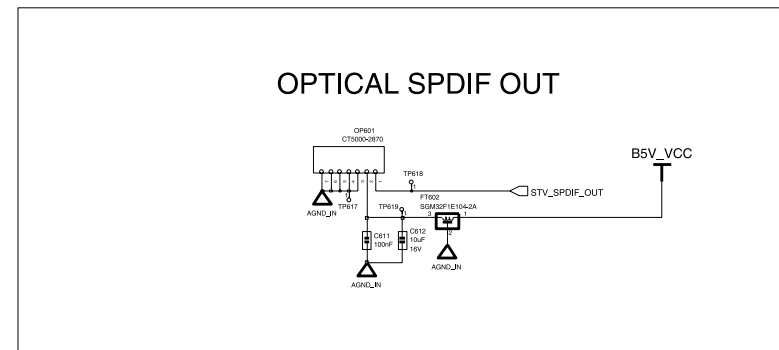
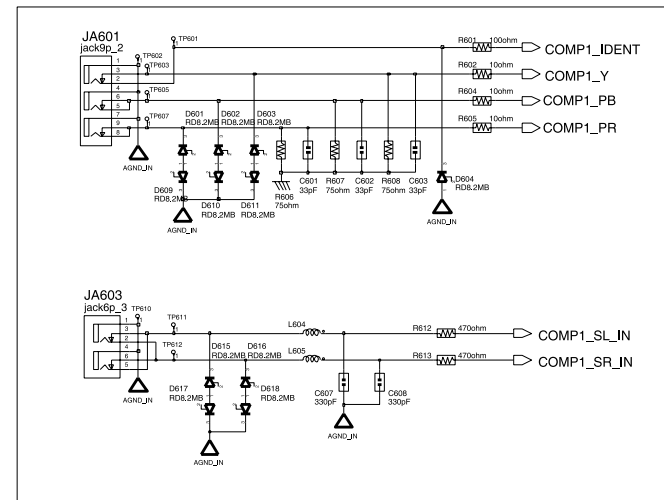
9 Schematic Diagrams

- This Document can not be used without Samsung's authorization.

9-6 AV_IN_OUT_1 Schmatic Diagram



COMPONENT 1



- This Document can not be used without Samsung's authorization.

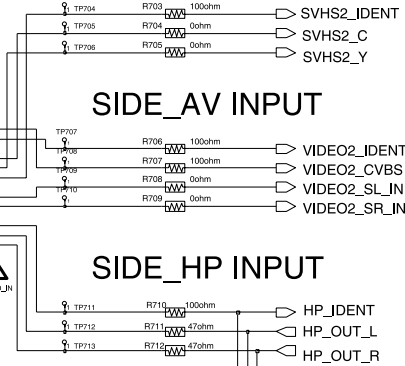
9-7 AV_IN_OUT_2 Schmatic Diagram

SIDE_AV

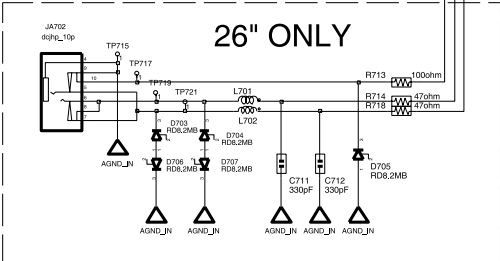
SIDE_SVIDEO INPUT

SIDE_AV INPUT

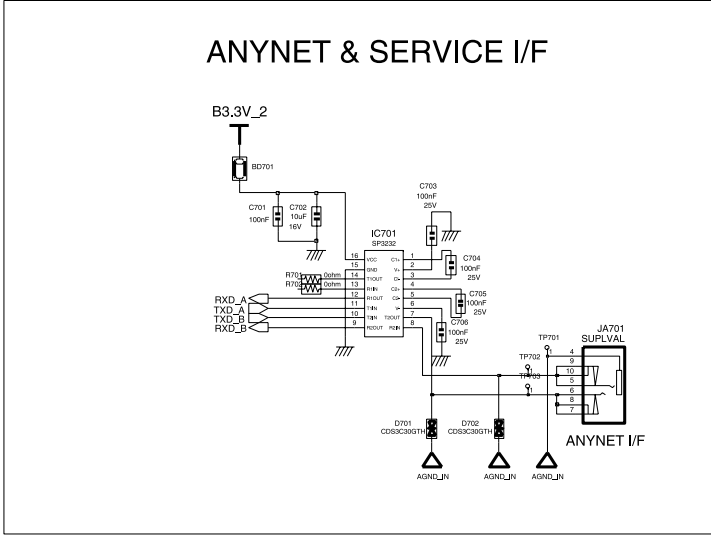
SIDE_HP INPUT



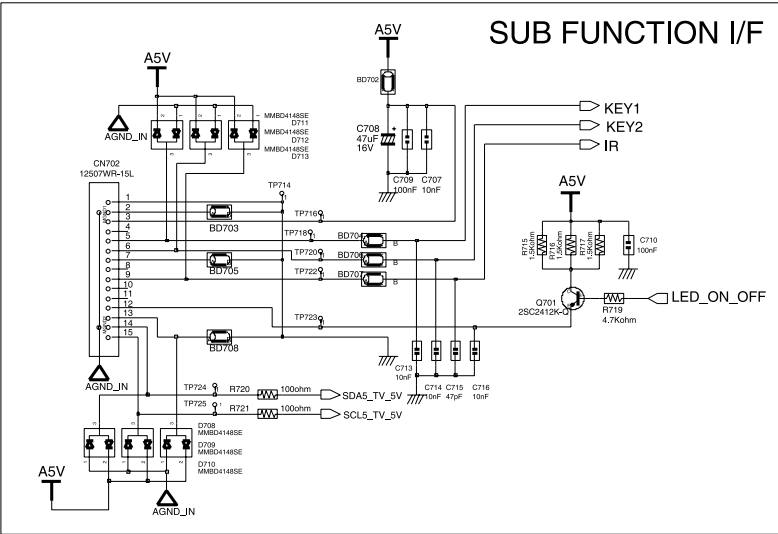
26" ONLY



ANYNET & SERVICE I/F



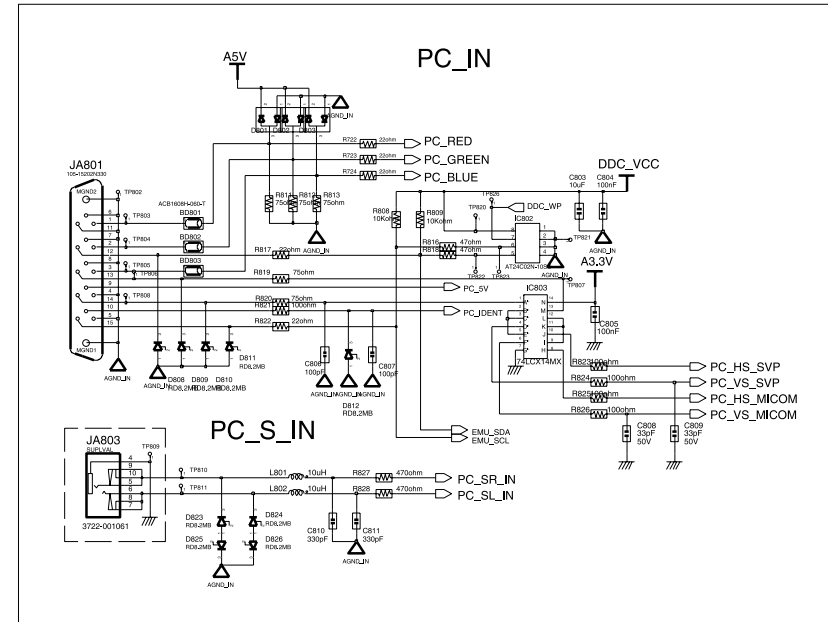
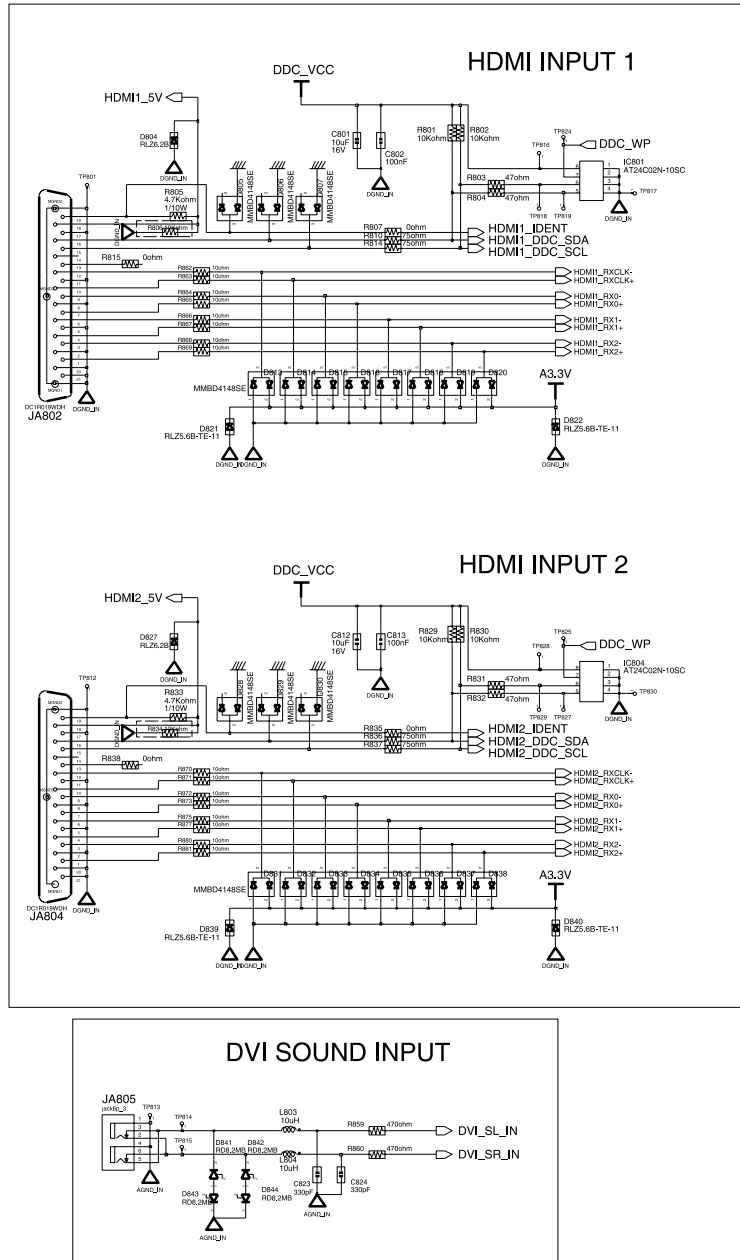
SUB FUNCTION I/F



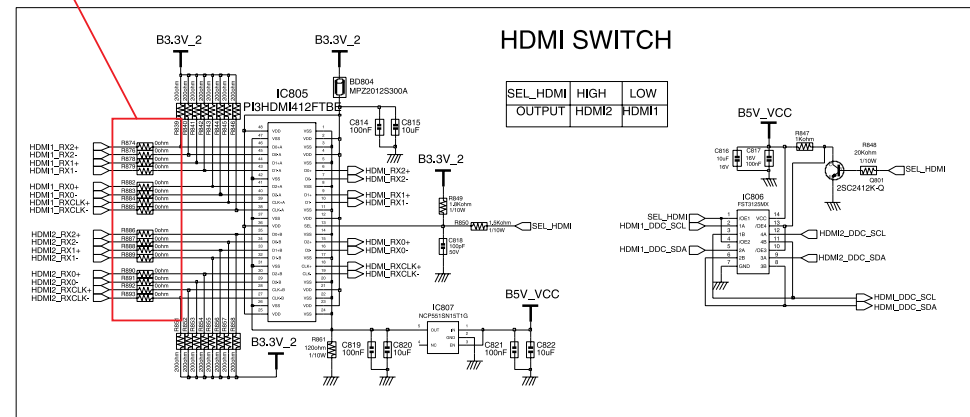
9 Schematic Diagrams

- This Document can not be used without Samsung's authorization.

9-8 PC_HDMI_INPUT Schmatic Diagram

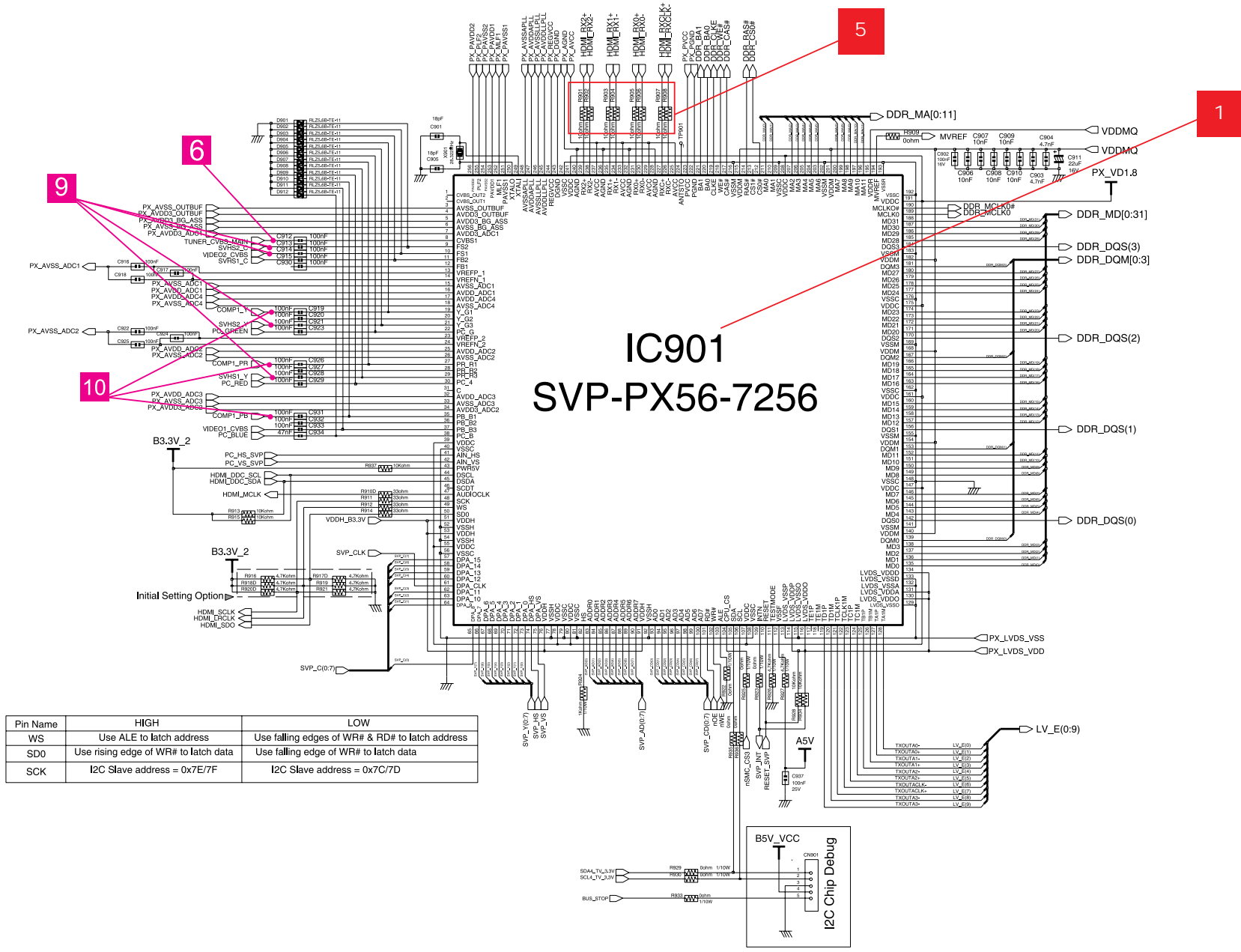


4



- This Document can not be used without Samsung's authorization.

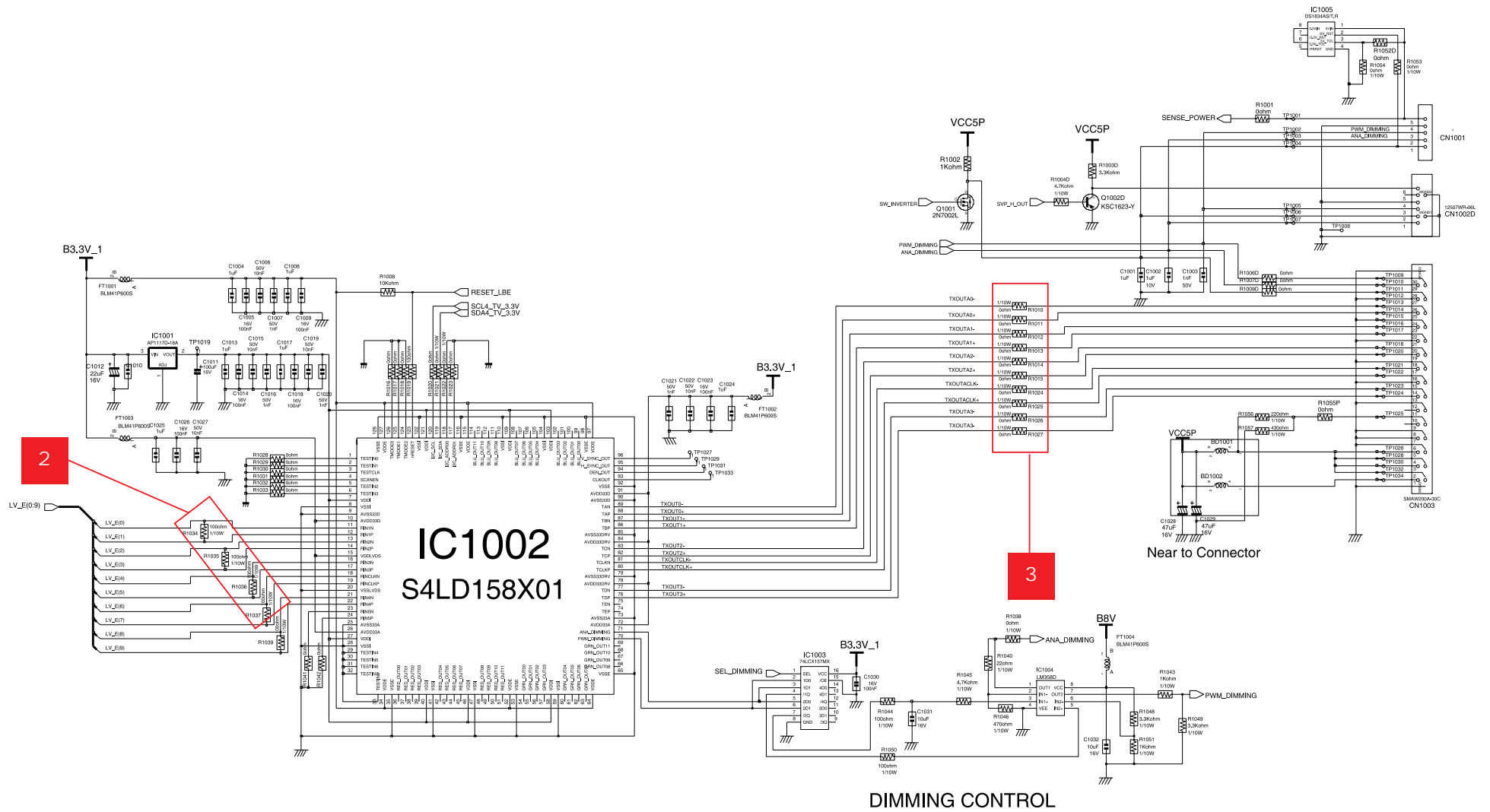
9-9 SVP_PX Schmatic Diagram



9 Schematic Diagrams

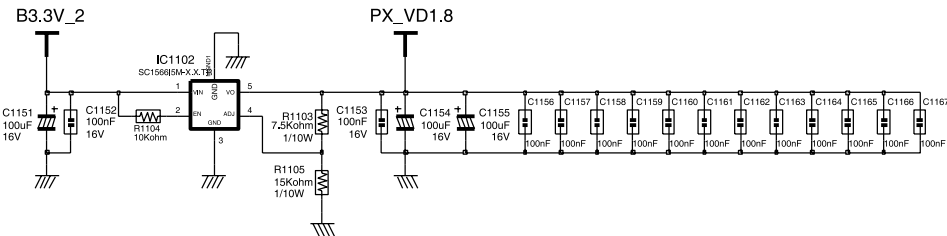
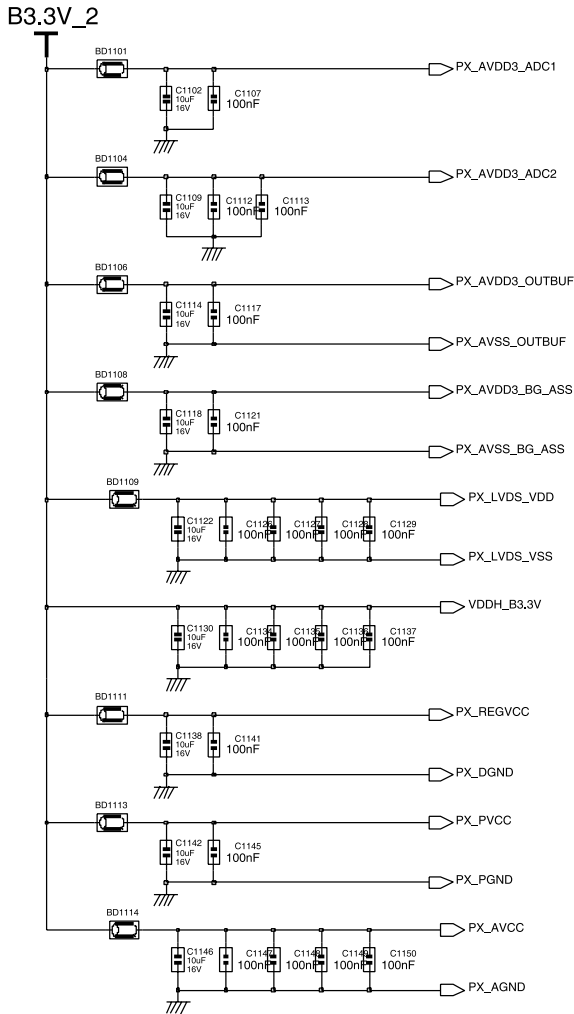
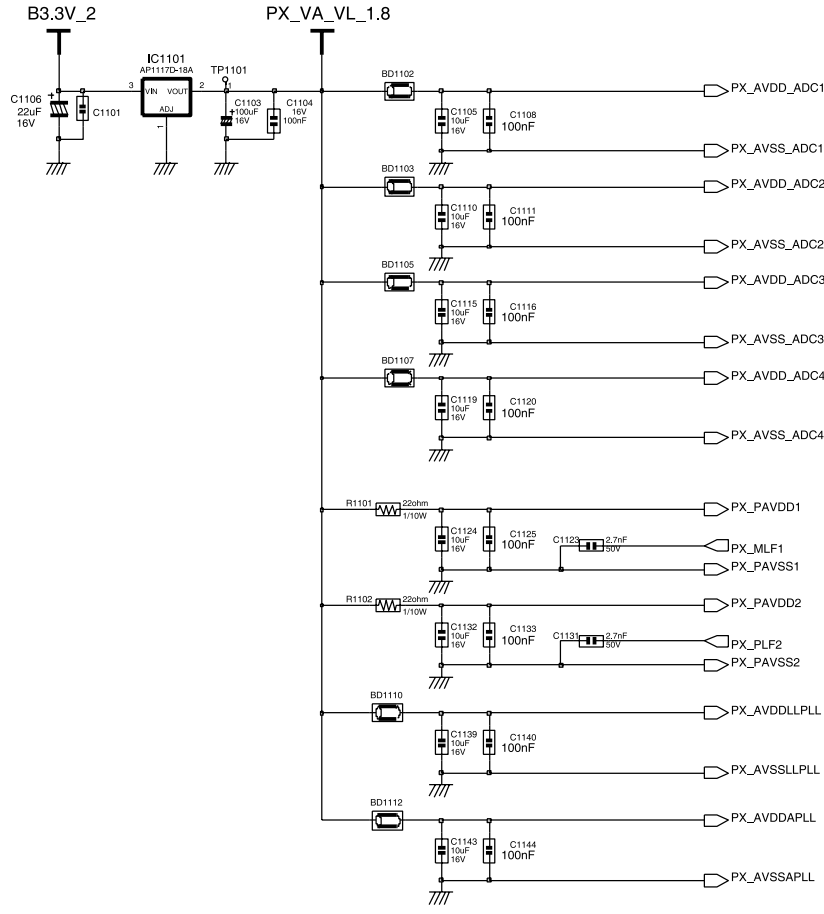
- This Document can not be used without Samsung's authorization.

9-10 LBE Schmetic Diagram



- This Document can not be used without Samsung's authorization.

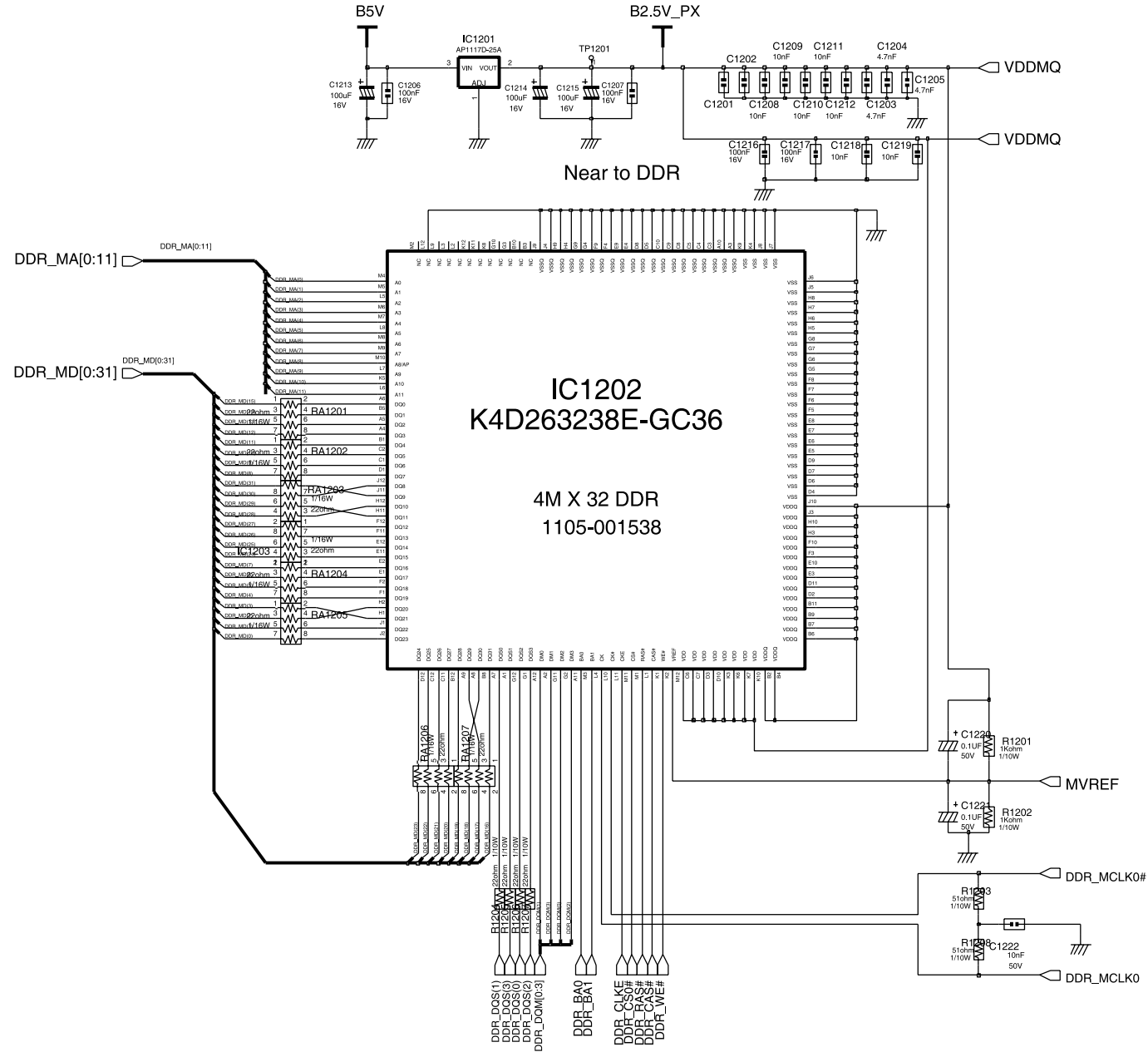
9-11 SVP_PX_POWER Schmatic Diagram



9 Schematic Diagrams

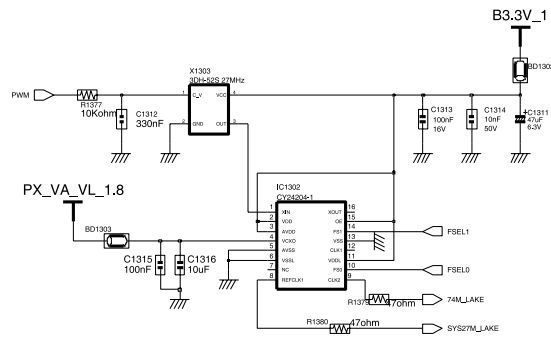
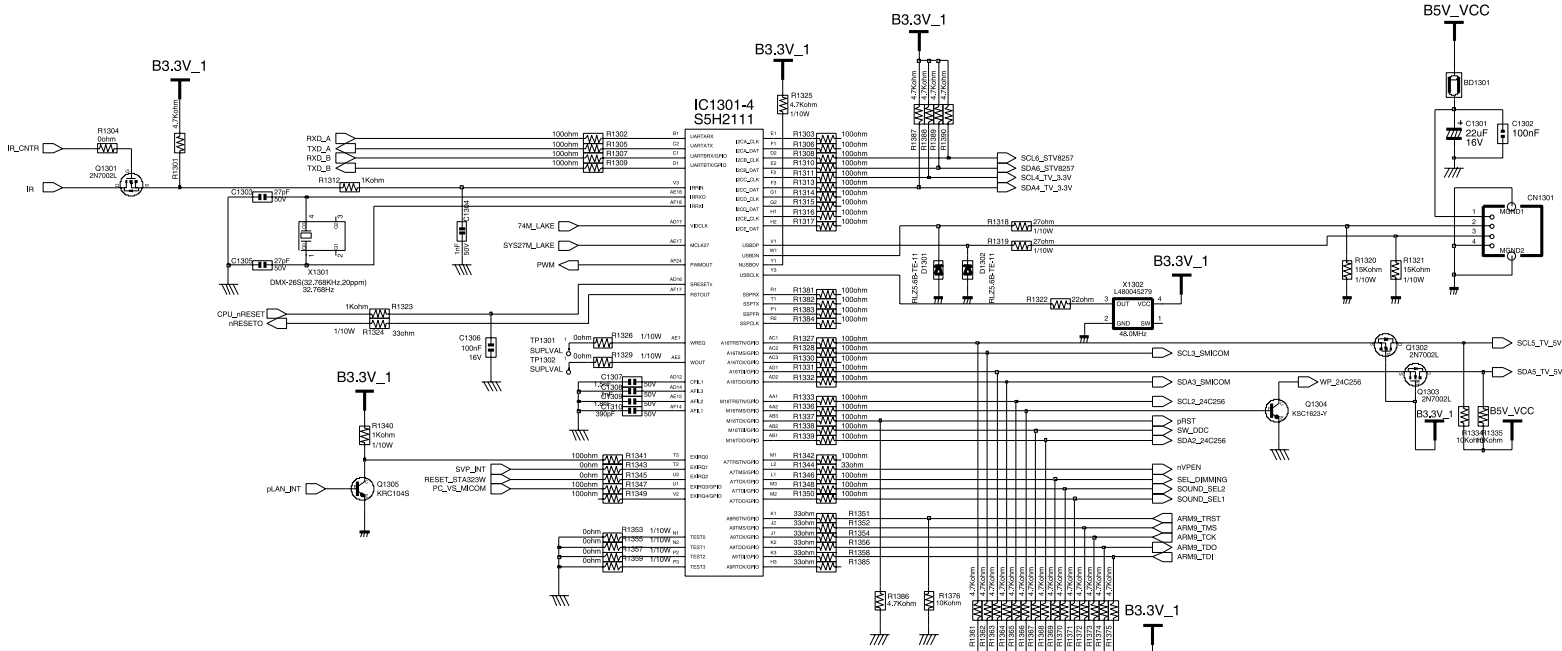
- This Document can not be used without Samsung's authorization.

9-12 SVP_PX_DDR Schmatic Diagram

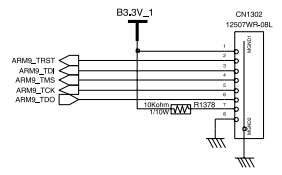


- This Document can not be used without Samsung's authorization.

9-13 LAKE_I2C_GPIO_USB_UART_ETC Schmatic Diagram

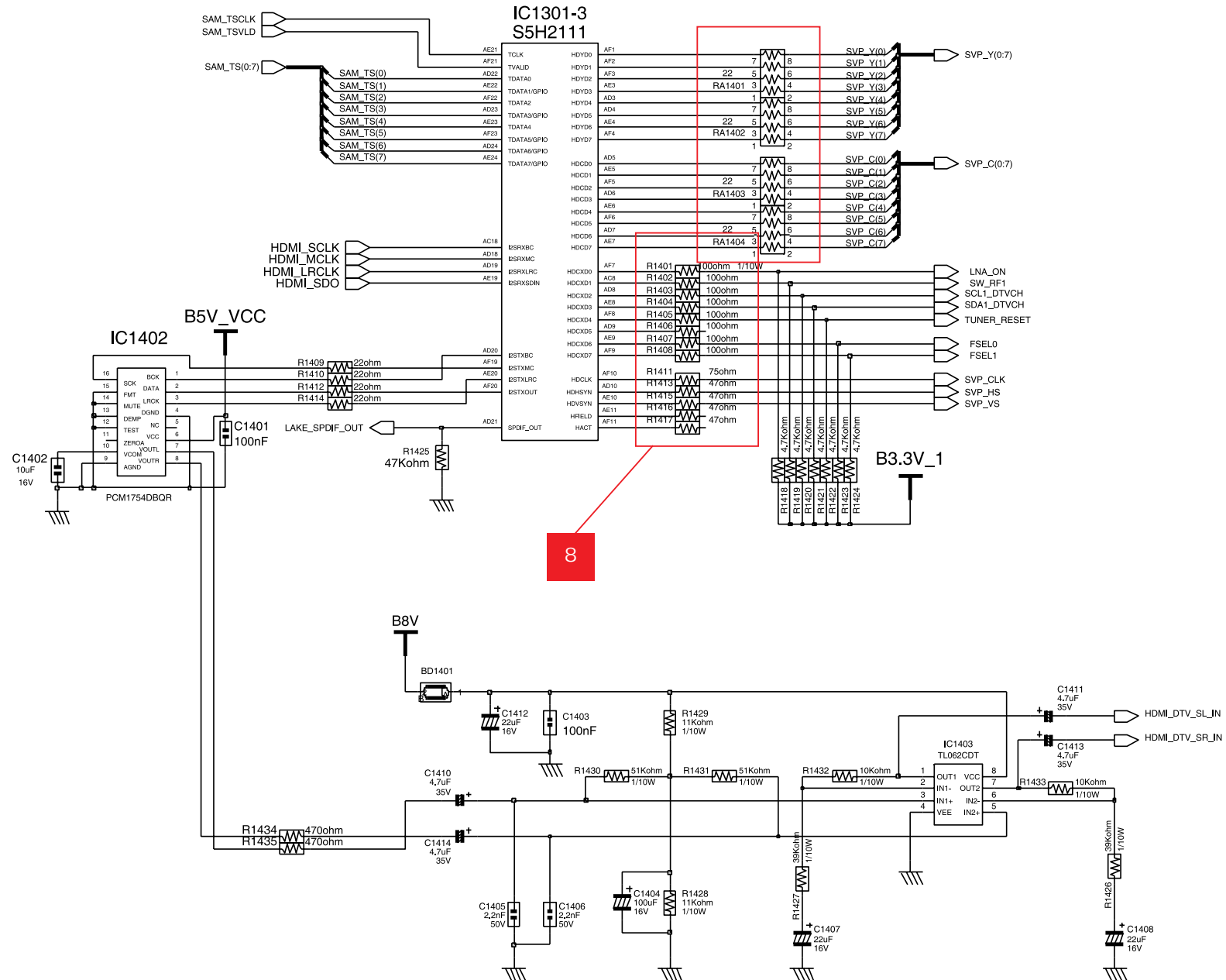


FSEL0	FSEL1	CLK1/CLK2
L	L	27Mhz
H	L	27.027Mhz
L	H	74.250Mhz
H	H	74.175Mhz



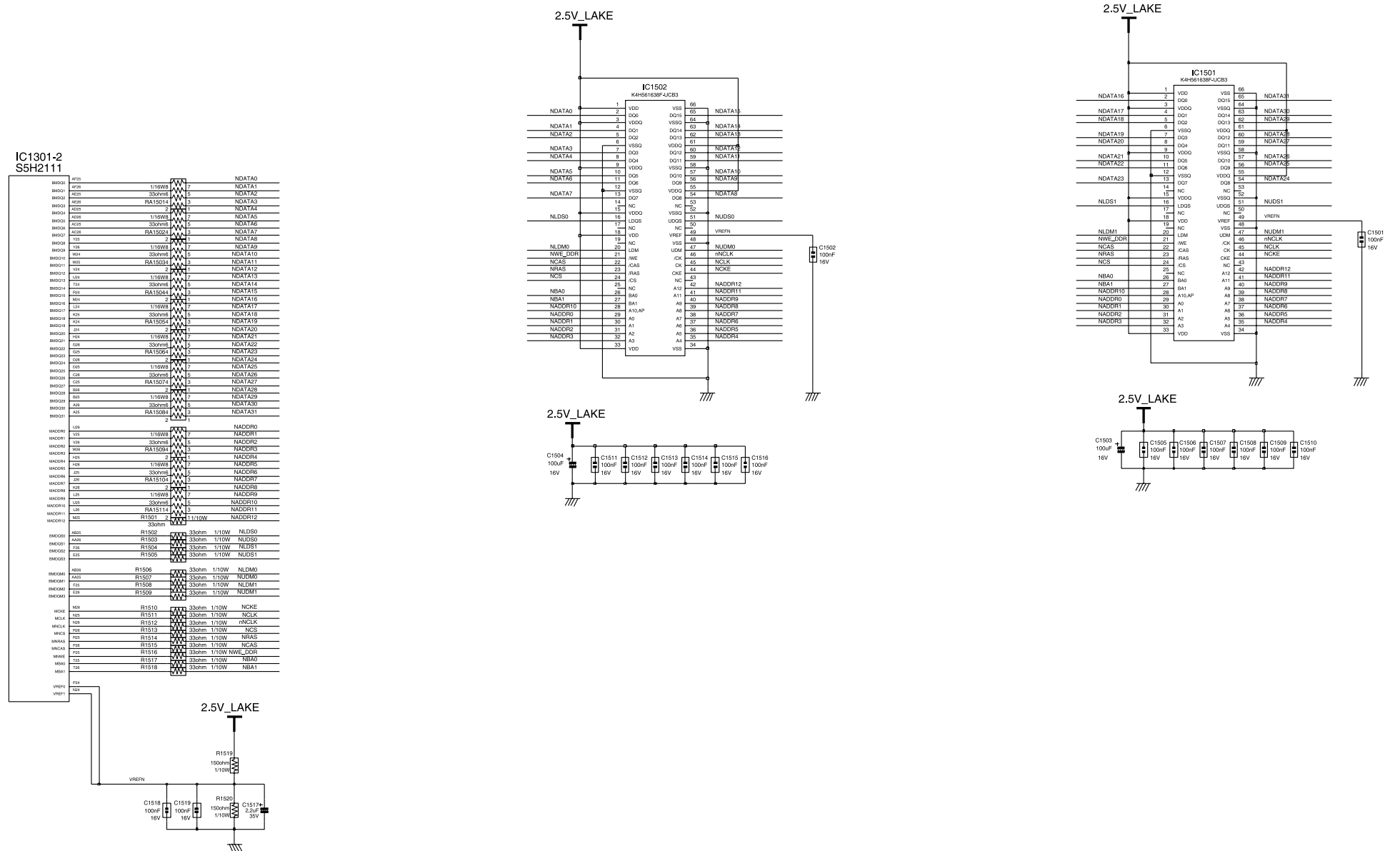
- This Document can not be used without Samsung's authorization.

9-14 LAKE_I2SINOUT_YCbCr_OUT Schmatic Diagram



- This Document can not be used without Samsung's authorization.

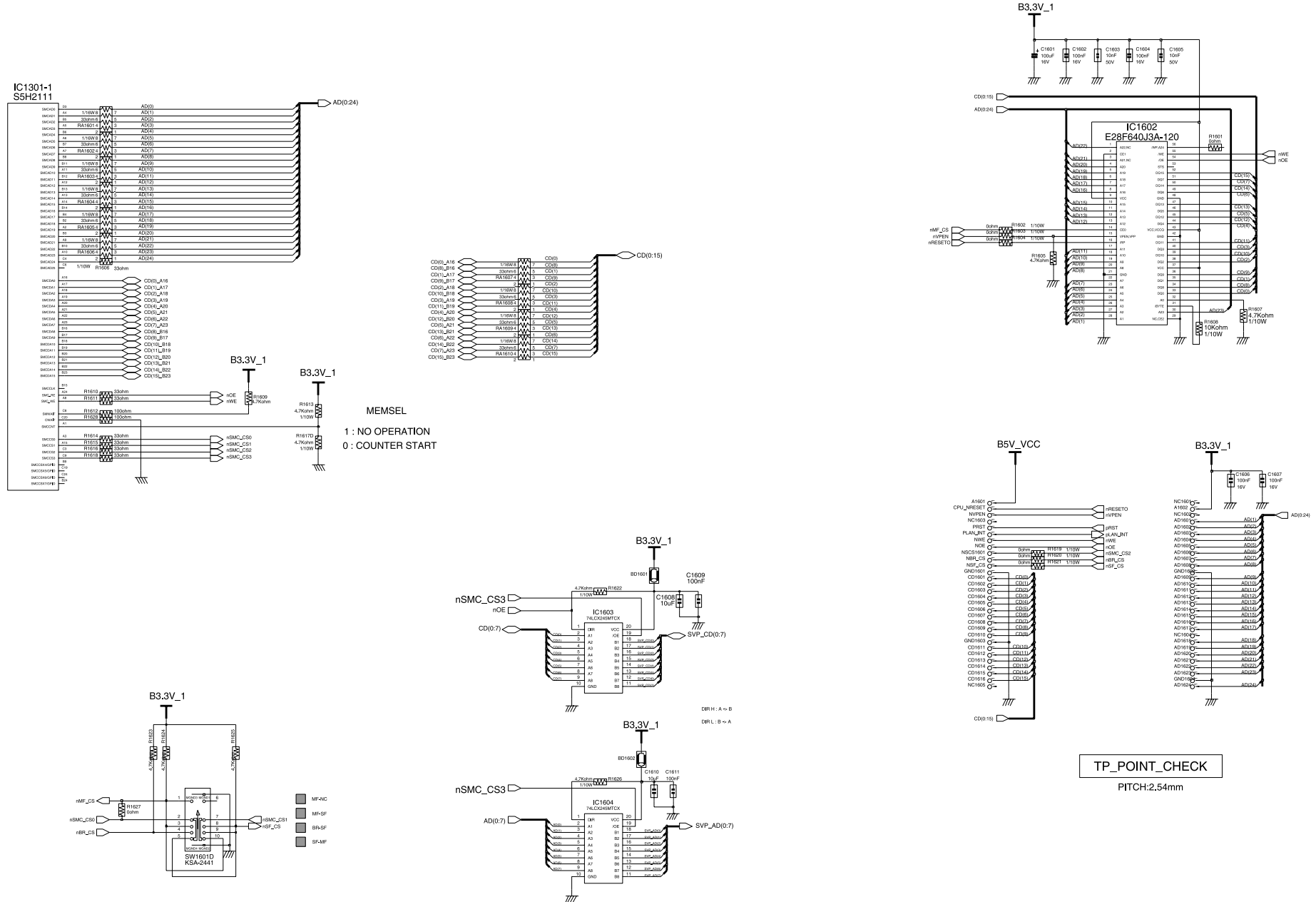
9-15 LAKE_DDR Schmatic Diagram



9 Schematic Diagrams

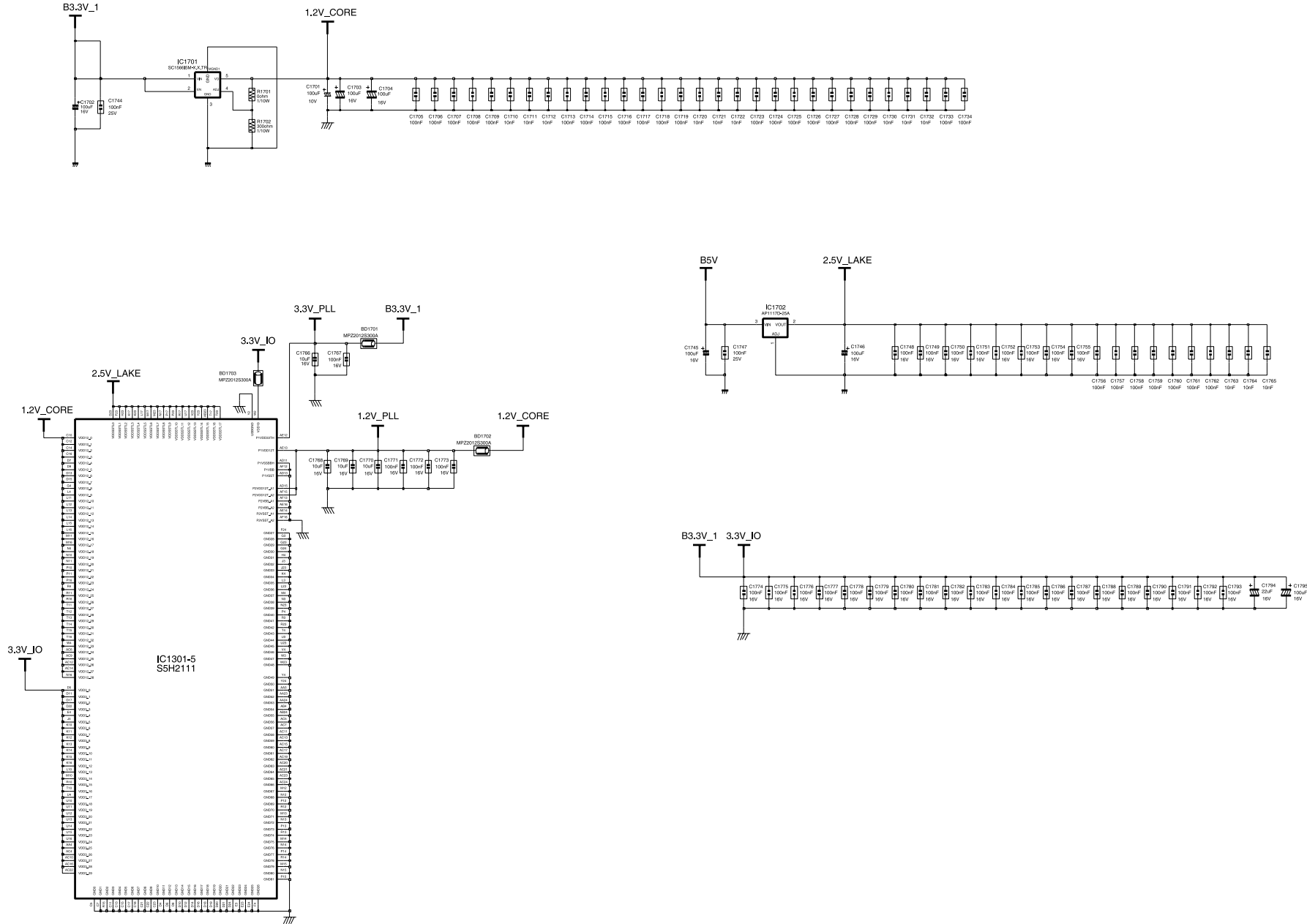
- This Document can not be used without Samsung's authorization.

9-16 LAKE_FLASH_DEBUG Schmatic Diagram



- This Document can not be used without Samsung's authorization.

9-17 LAKE_POWER Schmatic Diagram



Memo